

SG-770

7 channel Surge Protector

Introduction

SG-770 offers 7 differential for surge protection. SG-770 is approved with IEC 61000-4-5 and IEC 61000-4-12 standards. Each of channels supports 0 V ~ ±30 V signal and each of channels is protected for surge achieves 6 kV.

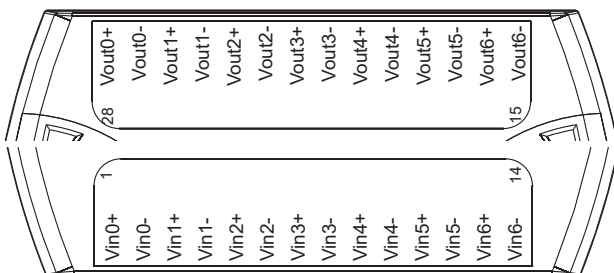
System Specifications

EMC	
IEC 61000-4-5 (Surge)	Line to Earth: ±6000V Max.
IEC 61000-4-12 (Surge)	Line to Earth: ±6000V Max.
Mechanical	
Dimensions (W x L x H)	73 mm x 120 mm x 35 mm
Installation	DIN-Rail
Environment	
Operating Temperature	-25 ~ +75 °C
Storage Temperature	-30 ~ +75 °C
Humidity	5 ~ 95% RH, Non-condensing

I/O Specifications

Analog Input	
Channels	7 differential
Type	Voltage, Current, Thermocouple, RTD, RS-485/422, RS-232, CAN bus, FRnet
Range	30 VDC

PIN Assignments



Ordering Information

SG-770 CR	7 channel Surge Protector (RoHS)
------------------	----------------------------------

Features

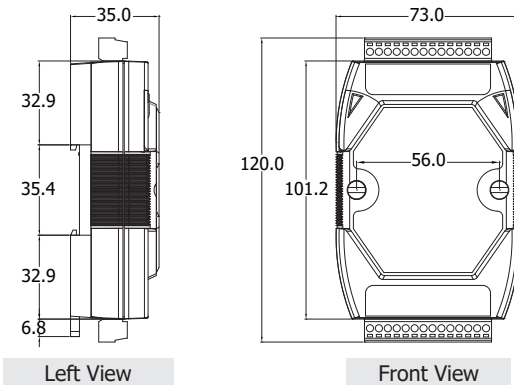
- IEC 61000-4-5, IEC 61000-4-12
- 6 kV Surge Protection
- Easily wire connection



Applications

- Voltage
- Current
- Thermocouple
- RTD
- RS-485 Surge Protection
- CAN bus Surge Protection

Dimensions (Units: mm)



Wire Connections

